

Futaba®

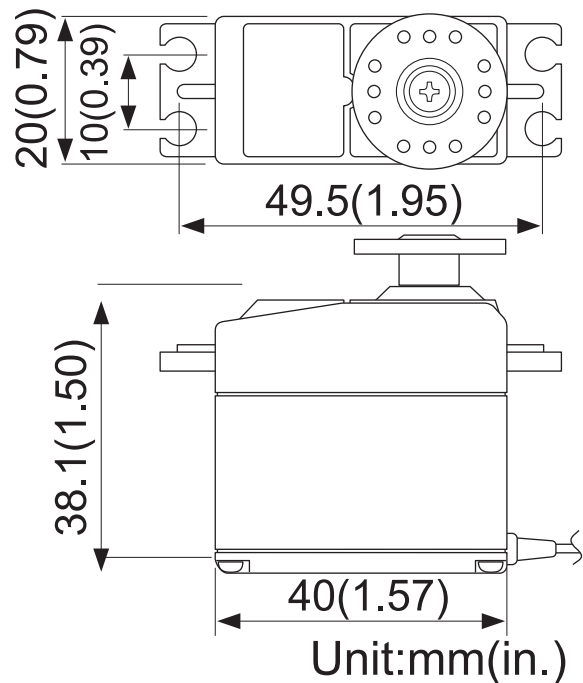
S3305

S3305

Heavy Duty
Metal gears Servo

- **SPEED**
0.2 sec/60° at 6.0V
- **TORQUE**
8.9 kgf·cm at 6.0V
(124 ozf·in at 6.0V)
- **SIZE**
40 × 20 × 38.1 mm
(1.57 × 0.79 × 1.50 in)
- **WEIGHT**
46.5g (1.64 oz)

No dry battery use



Do not leave servo stalled.

Stall may cause printed circuit board to burn.

FUTABA CORPORATION