

Futaba

Digital Servo

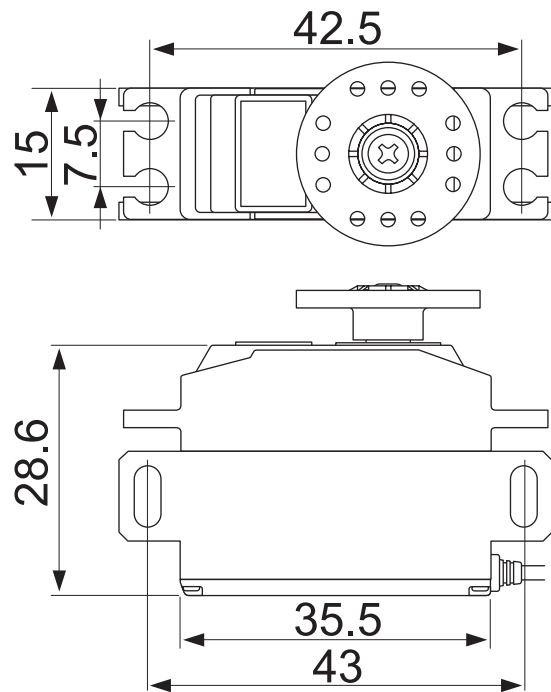
S9650

CORELESS MOTOR

Digital Servo for 1/12th Scale Vehicle

S9650

- **SPEED**
0.14 sec/60° at 4.8V
0.11 sec/60° at 6.0V
- **TORQUE**
3.6 kgf · cm at 4.8V
4.5 kgf · cm at 6.0V
- **SIZE**
35.5 × 15 × 28.6 mm
- **WEIGHT**
26 g



(Unit: mm)

FUTABA CORPORATION

Digital Servo for 1/12th Scale Vehicle

S9650

[USAGE PRECAUTIONS]

•Current drain

S9650 is specially designed for HIGH-TORQUE for small models (1/12th scale vehicle, etc.), therefore the CURRENT drain is higher than usual small servos. For ultimate performance when using this servo please review the following points.

- (1)When using a NICAD BATTERY the following will occur. (If using DRY-CELLS there will be less performance.)
- (2)When using systems with the BATTERY FAIL SAFE function it has a higher CUT-OFF VOLTAGE SETTING which will cause shorter operation time.
- (3)When installing the servo please check PUSHROD LINKAGE to make sure there is no binding in order to prevent excessive power consumption and decrease the life of the motor and battery.

•This digital servo cannot be used with following transmitters (servo neutral signal: 1310us).

CONQUEST AM, FG series (T4FG, T5FGK, T6FG, T6FGK, T7FGK), New Terratop, T3EGX, T3PGE, T2NL, T2LGX, T2FR, T2PK series

- For full performance of digital servos please use them only with FM, PCM, and HRS systems. Do not use digital servos with AM systems.
- Do not leave servo stalled. Stall may cause printed circuit board to burn.
- Excessive force or shock to servo horn may damage ultra mini precision gears inside servos.
- When cutting unnecessary flanges of your servo, cut them using a coping saw etc.. Excessive force to servo flanges may brake the servo case.
- For full performance of this servo please use it with 6V battery.