

# Futaba

1M23N23101

## S.BUS System Channel Changer SBC-1



### INSTRUCTION MANUAL

Before using your new SBC-1, please read this manual thoroughly and use the system properly and safely. After reading this manual, store it in a safe place.

Thank you for purchasing an SBC-1, S.BUS<sup>†</sup> channel changer.

This product is a tool for setting the channel to S.BUS servo and S.BUS decoder of Futaba S.BUS system.

<sup>†</sup>S.BUS: Serial communication system for Futaba R/C system

Applicable items:  
S.BUS servo, S.BUS decoder

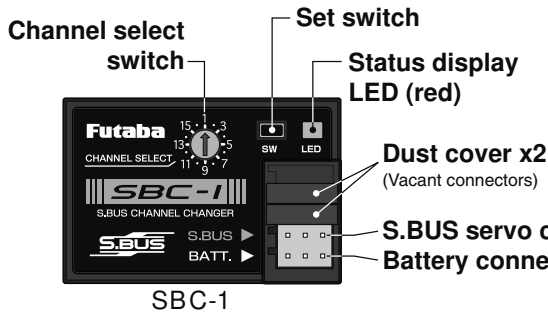
## Usage Precautions

### CAUTION

- Connect the servo and battery connector in the correct polarity. Connecting the power + and - polarities in reverse by mistake may cause smoke, fire, and damage.
- Do not connect a device other than an S.BUS servo or S.BUS decoder to the S.BUS servo connection port. If a conventional radio control servo is connected to the S.BUS servo connection port, the servo may operate erroneously.
- Do not disassemble or modify this product. Futaba Corp. will not be responsible for any disassembly or modification other than those specified by us.

Futaba Corp. will not be responsible for damage caused by combination with other than Futaba Genuine parts.

## Name of Each Part and Accessories



### CAUTION

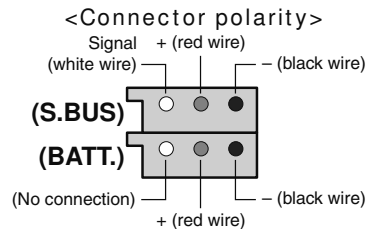
To prevent the entry of foreign matter, do not remove the connector dust cover of the vacant connectors. Channel setting cannot be performed at the connector under the cover.

### <Accessories>

#### Mini screwdriver

- Use the miniature screwdriver to operate the channel select switch and the set switch.

#### Instruction manual (this manual)



## Channel Setting

- Connect an S.BUS servo to the S.BUS servo connection port (S.BUS).
- Connect a battery to the battery connection port (BATT.)

LED	Status
Blinks slowly (approximately 1 time/second)	When the CHANNEL SELECT switch No. and the channel set at the S.BUS servo are different.
Lights steadily	When the CHANNEL SELECT switch No. and the channel set at the S.BUS servo are the same.

- Set the CHANNEL SELECT switch No. to the channel you want to set at the S.BUS servo.
- Hold down the set switch (SW). (Approximately 1 second)

\*During channel setting, the LED blinks rapidly (approximately 5 times/second) and then lights steadily.

\*When the LED lights steadily, channel setting is complete.

- Remove the battery.
- Remove the S.BUS servo.

Refer to the instruction manual of each device for a description of the channel setting method of the S.BUS compatible devices (S.BUS decoder, etc.) other than a servo.

### Precautions

- Do not connect the power source with the SW pressed down. If the power source is connected when the SW is pressed, the LED will light and

operation will become impossible. In this case, reconnect the power source before reuse.

- Channel setting cannot be performed simultaneously at multiple S.BUS servos. Always connect only one S.BUS servo to the SBC-1. If multiple S.BUS servos are connected using a Y-harness, etc., channel setting will not be performed at any S.BUS servo.

## Errors

When channel setting cannot be performed correctly because of improper connection of the S.BUS servo or the S.BUS decoder, etc., the SBC-1 is in error mode and the LED continuously blinks rapidly (about 5 times/second).

LED	Status
Blinks rapidly (about 5 times/second)	When channel setting cannot be performed correctly.

In this case, check the following:

### Check items

- Is a battery connected to the battery connection port?
- Is an S.BUS servo or S.BUS decoder connected to the S.BUS servo connection port?
- Are the battery and S.BUS servo connectors firmly inserted fully?
- Are the battery and S.BUS servo cables damaged, broken, etc?
- Is the battery charged?

## Meaning of Special Markings

Pay special attention to safety where indicated by the following marks:

<b>DANGER</b>	Procedures which may lead to dangerous conditions and cause death/serious injury if not carried out properly.
<b>WARNING</b>	Procedures which may lead to a dangerous condition or cause death or serious injury to the user if not carried out properly, or procedures where the probability of superficial injury or physical damage is high.
<b>CAUTION</b>	Procedures where the possibility of serious injury to the user is small, but there is a danger of injury, or physical damage, if not carried out properly.

⊘ = Prohibited      ! = Mandatory

©Copyright 2010. No part of this manual may be reproduced in any form without prior permission. The contents of this manual are subject to change without prior notice. While this manual has been carefully written, there may be inadvertent errors or omissions. Please contact our service center if you feel that any corrections or clarifications should be made.

FUTABA CORPORATION oak kandakajicho 8F 3-4 Kandakajicho, Chiyoda-ku, Tokyo 101-0045, Japan  
TEL: +81-3-4316-4820, FAX: +81-3-4316-4823