

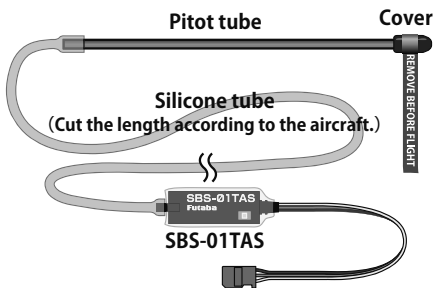
Telemetry Airspeed sensor

SBS-01TAS

Instruction Manual

Thank you for purchasing Futaba's SBS-01TAS Airspeed sensor. This sensor, used in conjunction with a telemetry enabled transmitter/receiver, is used to indicate the Airspeed of the item to which it is attached. Airspeed is the speed of an aircraft relative to the air. You will be able to get a more accurate aircraft speed. To maximize your enjoyment, and to ensure proper sensing, please read through this manual thoroughly. We also encourage you to retain the manual for future reference should the need arise.

- The SBS-01TAS is designed for use with Futaba telemetry systems.



Operation Check

1. Connect the Sensor unit as shown in the diagram on the right.
2. Remove the Pitot tube cover, turn on the transmitter and then the receiver.

Important

- Immediately after powering on the receiver, the air pressure sensor of SBS - 01 TAS is initialized, so the LED lights red. After the pressure sensor is initialized the LED turns green and 0km / h is displayed on the screen of the transmitter.
- Please do not blow toward or let the Pitot tube sensor be exposed to wind during the initialization process (at least 2 seconds).
- The SBS-01TAS sensor will then start measuring the variation between dynamic pressure and static pressure, to display the calculated airspeed. If the Pitot tube unit is moved, or exposed to wind or moving air during initialization, it will give incorrect readings.
- Please follow the above notes to ensure accurate readings are obtained. Very occasionally, because of varying atmospheric conditions, the delivered airspeed may not be accurate. In this case, please cycle the power to the unit to allow it to reset.

Use : Airspeed sensor (from air pressure)
Range : About 15km/h-600km/h (9mph-373mph)
Length : 195mm [7.68in]
Weight : 16g [0.56oz] (with Pitot tube and Silicone tube)
Voltage : DC 3.7V-DC 7.4V

LED Indication

Green	Normal operation
Red	No signal reception
Green/Red	When setting up the slot
Green/Red Alternate blink	Unrecoverable error

Slot number setup

Initial setting of the slot # of the SBS-01TAS is "16". This sensor uses one slot. For changing the assignment of the slot #, please refer your transmitter's manual.

Installation Method

1. Connect the SBS-01TAS sensor to the receiver's S.BUS2 port.
2. Install SBS-01TAS inside the aircraft away from wind turbulence and vibration. Mount the sensor unit using double sided tape or equivalent.
3. Install the Pitot tube horizontally and pointing toward the front of the model. Be sure to mount the Pitot tube where it will not be affected by propeller slipstream. Mount securely and horizontal, pointing forward. The Pitot tube tip must be placed at least 15mm away from the leading edge of the wing. Be sure to occasionally check the Pitot tube for obstruction.
4. Connect the SBS-01TAS main unit to the Pitot tube using the supplied silicone tube. Cut the length of the silicon tube according to the aircraft. Be sure the silicone tube is not kinked, and that any bends do not disturb airflow.

⚠ WARNING

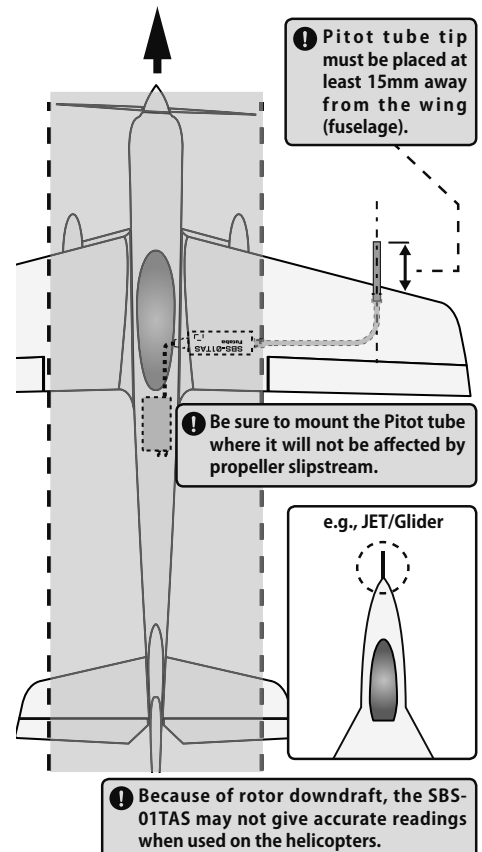
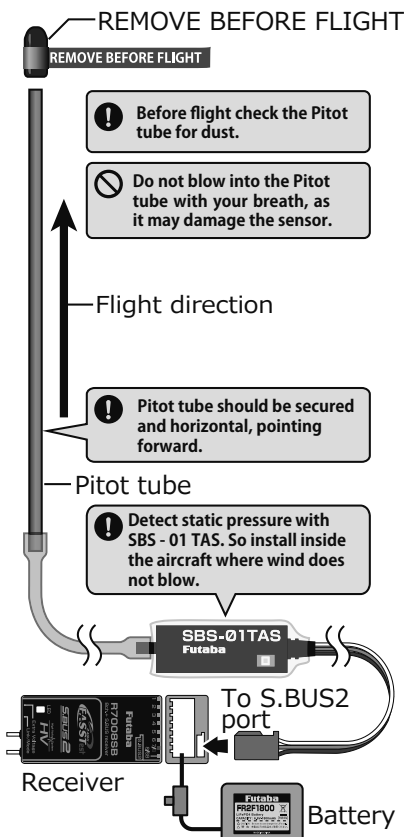
Failure to follow these safety precautions may result in severe injury to yourself and others.

- 1 To utilize the SBS-01TAS Airspeed sensor, connect it to the S.BUS2 port of the Futaba telemetry enabled receivers.
 - The SBS-01TAS will not function properly if connected to an S.BUS port or other channel ports.
- 1 Ensure that the unit is connected properly to the receiver. Failure to do so could result in damage to the sensor.
- 1 Always use double-stick sponge tape to attach the sensor to the mechanics.
 - As with any electronic components, proper precautions are urged to prolong the life and increase the performance of the SBS-01TAS.
- 1 Ensure that the unit is mounted in an area that will eliminate exposure to fuel, water and vibration.
 - As with any electronic components, proper precautions are urged to prolong the life and increase the performance of the SBS-01TAS.
- 1 To ensure that the SBS-01TAS is functioning as desired, please test accordingly.
 - Do not fly until inspection is complete.

1 Allow a slight amount of slack in the SBS-01TAS cables and fasten them at a suitable location to prevent any damage from vibration during flight.

1 Use only the supplied pitot tube and silicone tube.

⊘ Do not use the SBS-01TAS with anything other than an R/C model.



FUTABA CORPORATION

oak kandakajicho 8F 3-4 Kandakajicho, Chiyoda-ku, Tokyo 101-0045, Japan
 TEL: +81-3-4316-4820, FAX: +81-3-4316-4823

