

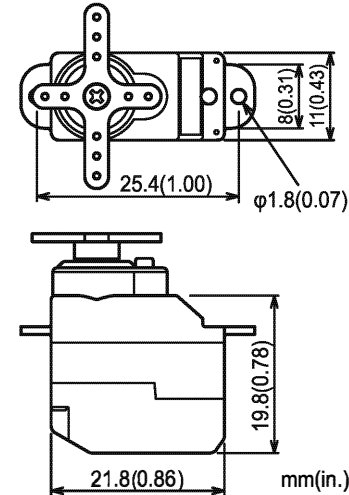
S3114M

Micro Servo for Small Electric Powered Models

*Specifications are subject to change without prior notice.

[RATINGS]

- Operating speed : 0.10 sec/60° at 4.8V
0.09sec/60°at 6.0V
- Output torque : 1.5 kg·cm at 4.8V
(20.8 oz.·in. at 4.8V)
1.7kg·cm at 6.0V
(23.5 oz.·in. at 6.0V)
- Dimensions : 21.8 × 11 × 19.8 mm
(0.86 × 0.43 × 0.78 in.)
- Weight : 7.5 g (0.26 oz.)



USAGE PRECAUTIONS

The S3114M servo is a micro servo for small electric powered models. Pay special attention to the following points.

- Do not use S3114M servos with gas-power engine models, large gliders or other models that require high torque.
- Using the supply voltage higher than 6.0V or applying high load to the servo will shorten the life.
- Always use the servo horn specially designed for this micro servo. Do not use conventional servo horns.
- Excessive force or shock to the servo horn may damage the ultra mini precision gears inside the servo.
- Never connect a battery in reverse. Otherwise, it may cause fire on the servo.
- To use a BEC battery for multiple servos simultaneously, be sure to select the battery with a sufficient capacity.