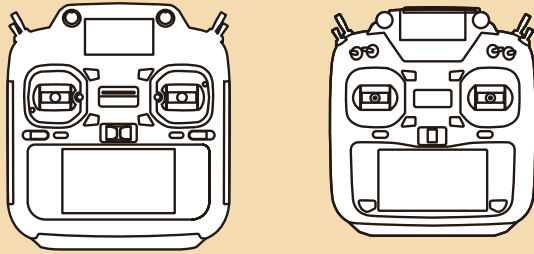


SBS-01ML software update method

Your Futaba update compatible product programming can be updated easily online. When functions are improved, the update file can be downloaded from our website.

For more information, check out web site for FAQ regarding updating this product.

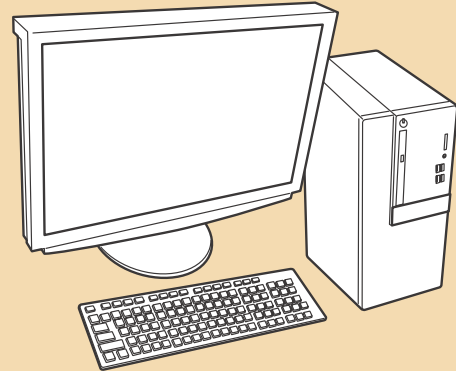
Required for update (Purchase separately)



T26SZ or T16IZS



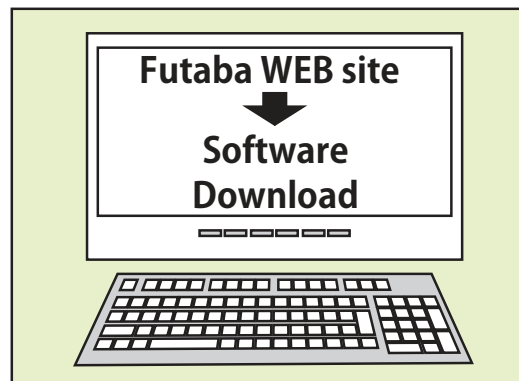
microSD card



PC
(Access is possible by the web)

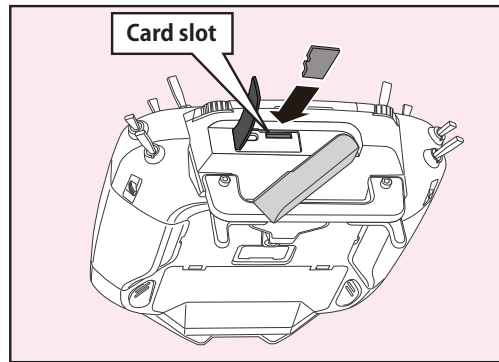
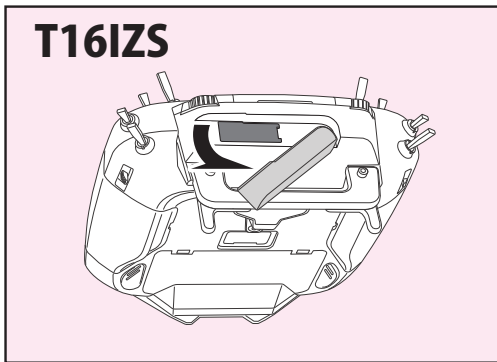
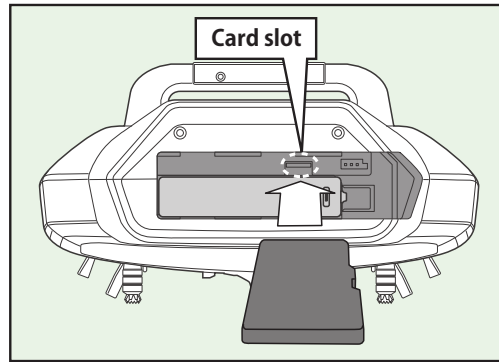
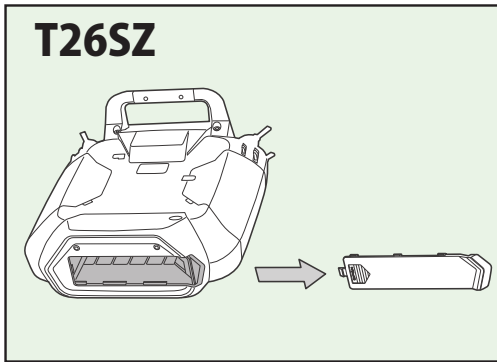
Updating procedure

1. Download the update file of the update data from Futaba website.

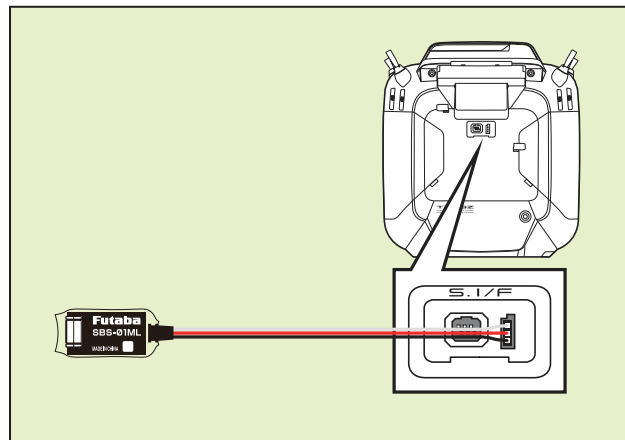


2. Extract the update file on your computer. The "FUTABA" folder will be created on your computer.

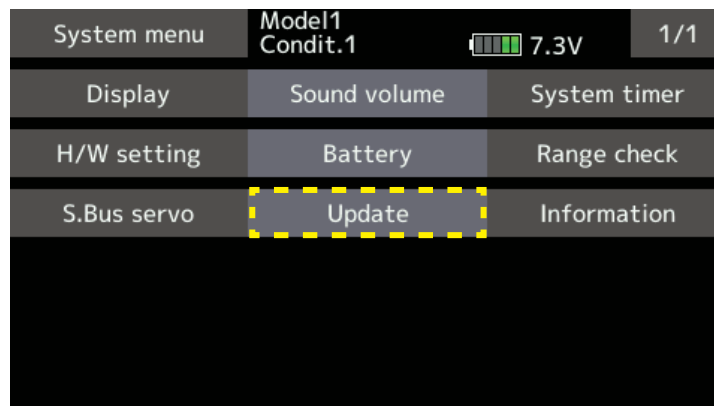
- Copy the "FUTABA" folder into your microSD card.
- Insert the microSD card with "FUTABA" folder that contained the update software into the SD card slot on your transmitter.



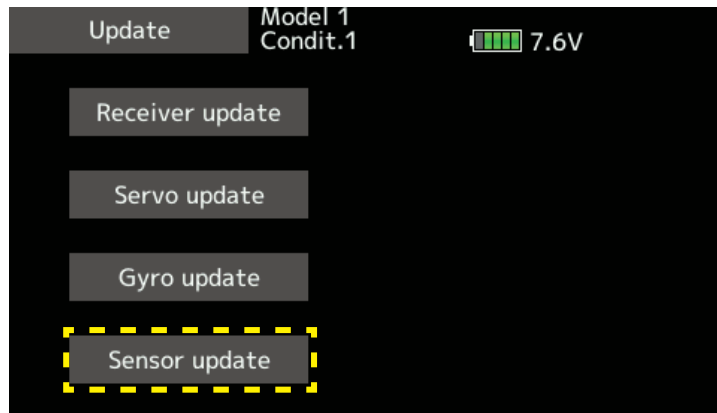
- Connect the SBS-01ML to be updated to the S.I/F connector of the transmitter.



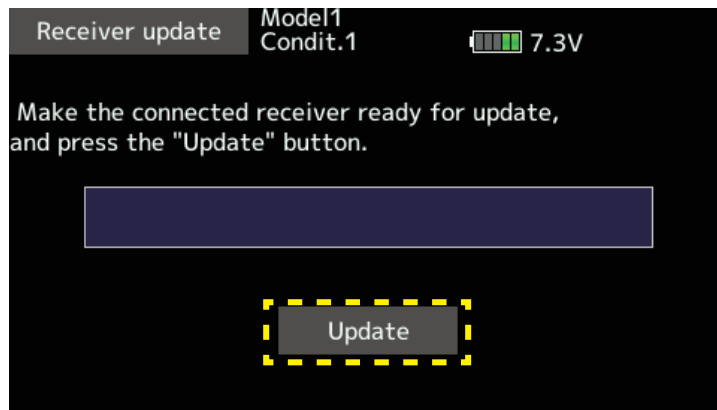
- Turn on the transmitter and call "System Menu" ⇒ "Update".



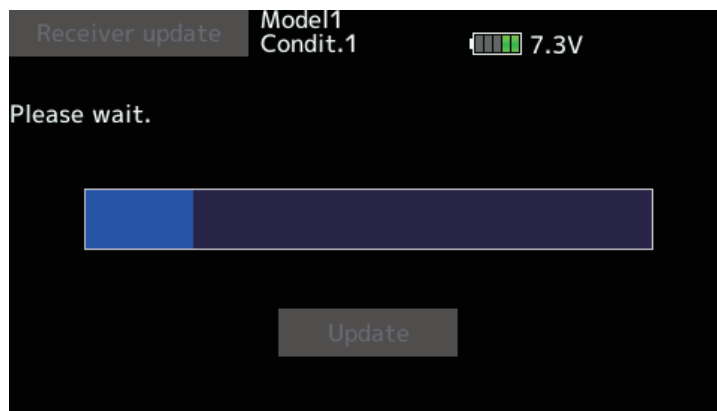
7. Tap "Sensor Update".



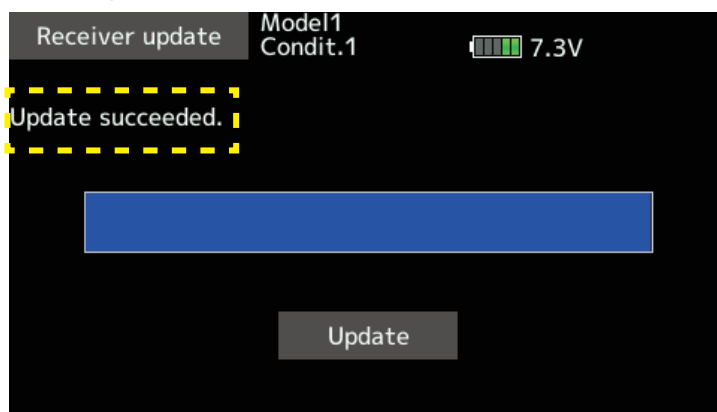
8. Tap "Update".



9. Update start.



10. When finished, the following will appear.



11. Disconnect the SBS-01ML from the transmitter's S.I/F connector.

V2.0 UPDATE

- Compatible with FASSTest26CH.