

Your Futaba R7206SB/R7306SB programming can be updated easily online. When functions are improved, the update file can be downloaded from our website.

For more information, check out web site for FAQ regarding updating this product.

*The display screen is an example. The screen depends on the PC.

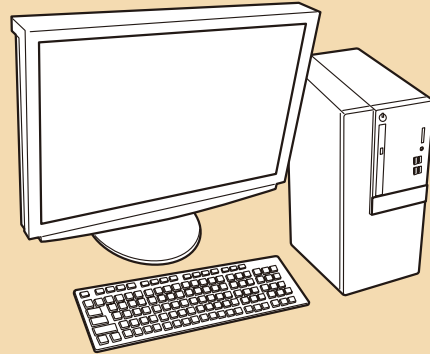
When using CIU-3 : Required for update

CIU-3

*CIU-2 cannot be used.



**CGY750/GY701/GY520
Extensions**

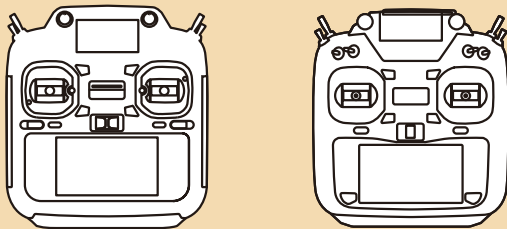


PC
(Access is possible by the web)

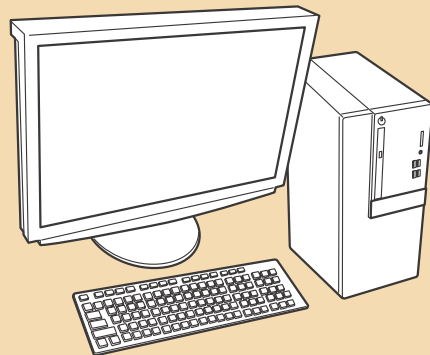
When using T26SZ or T16IZS(V4.0~) , T16IZ(V6.0~): Required for update



microSD



**T26SZ or
T16IZS(V4.0~), T16IZ(V6.0~)**



PC
(Access is possible by the web)



**CGY750/GY701/GY520
Extensions**

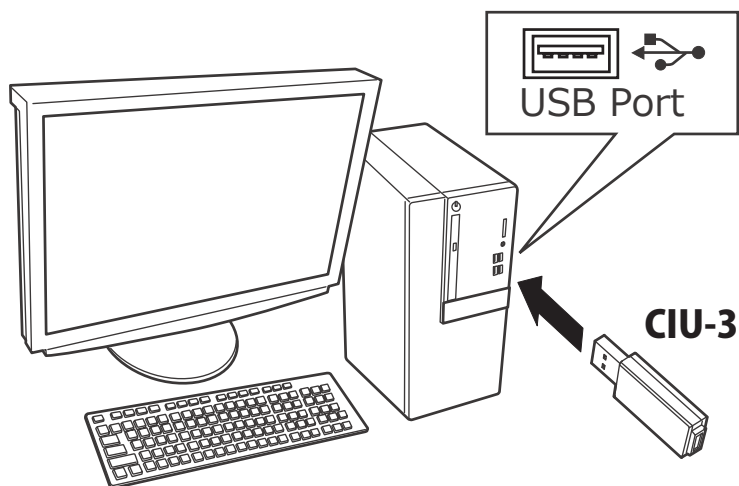
Battery for receiver



When using CIU-3 : Update Procedure

Preparations

1. Install the driver for the CIU-3 onto your PC.



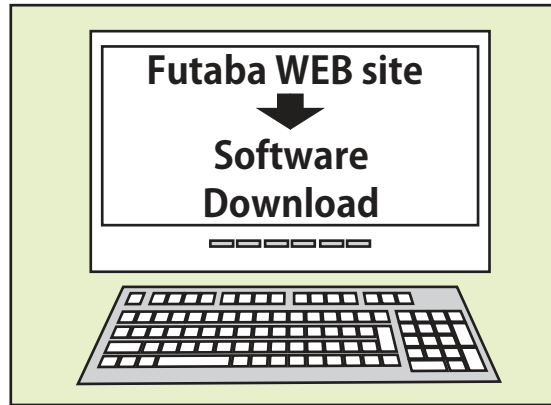
- ◆ When the **CIU-3** is first connected to the PC, once the CIU-3 is connected to the PC, download the recommended driver software Using Windows Vista, the "Found New Hardware Wizard" window appears on the screen. Click "Locate and install driver software".
- ◆ Refer to the manual of the CIU-3 for further information.

Updating procedure

1. Download the zip file of the update data from our website or your local distributor's website.

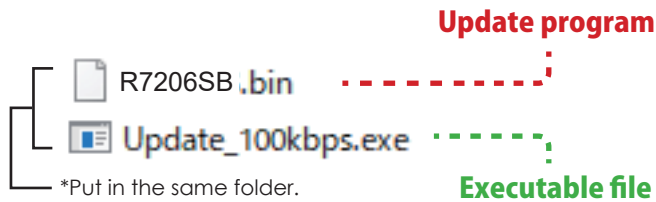
<https://www.rc.futaba.co.jp/>

<https://futabausa.com>

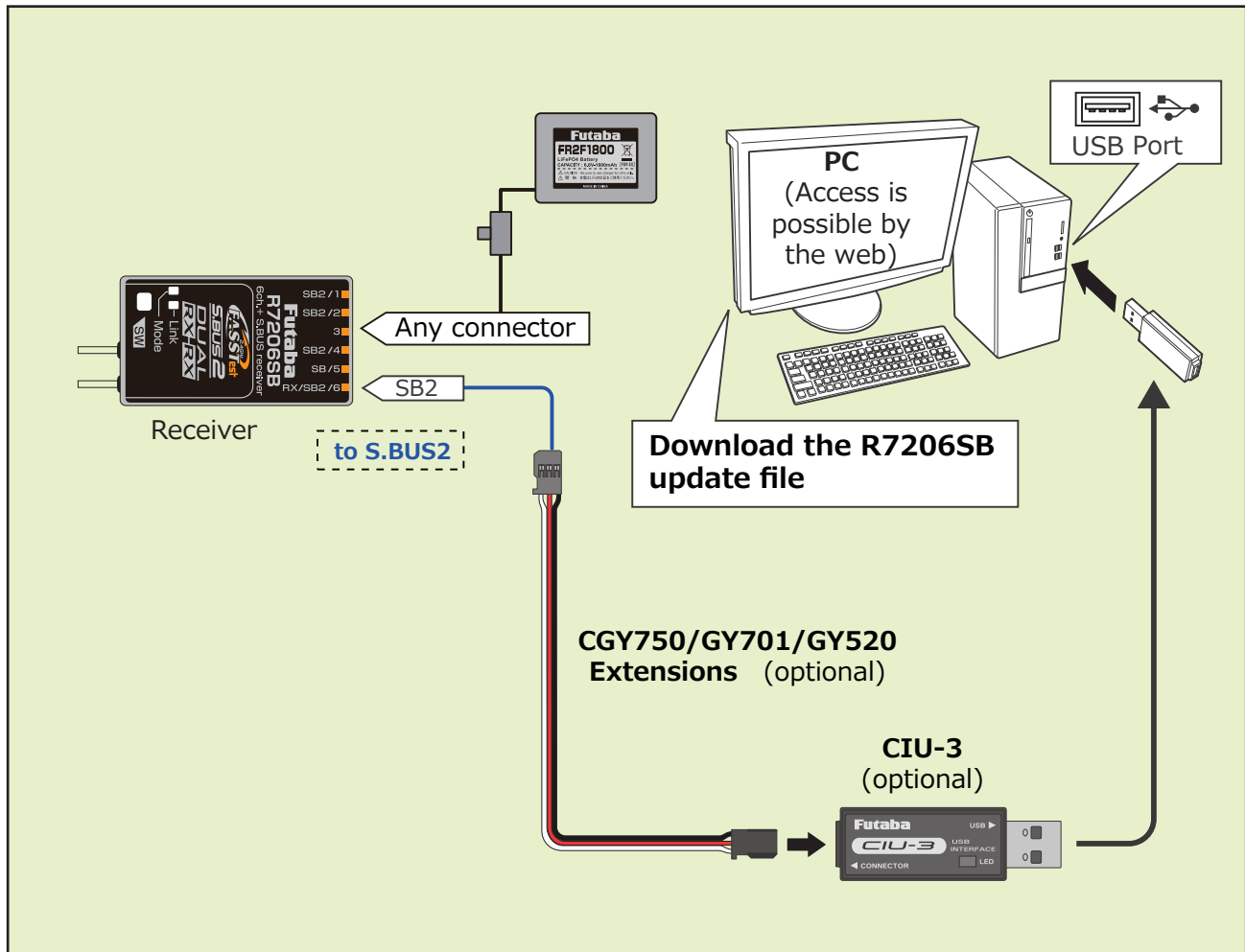


2. Extract the zip file on your computer.

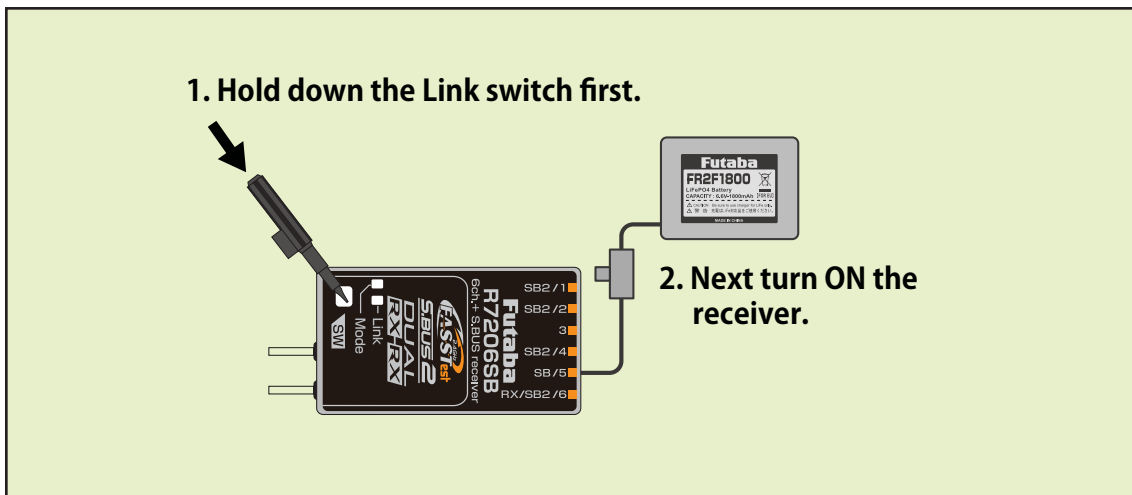
*The software of R7206SB and R7306SB is common.



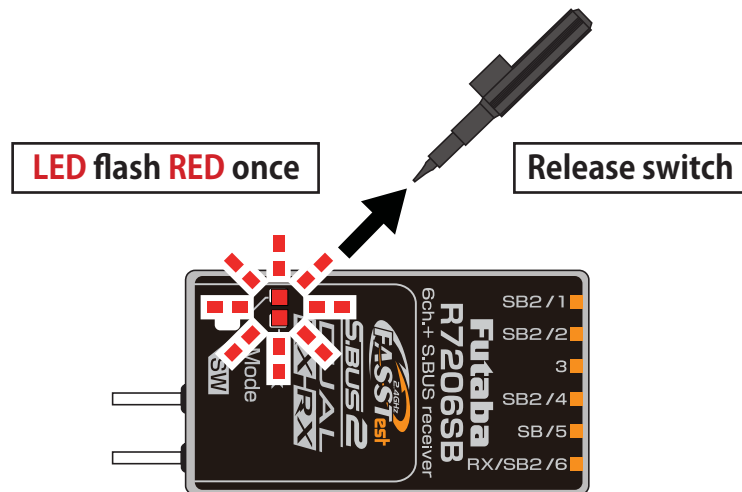
3. Connect as shown in the figure.



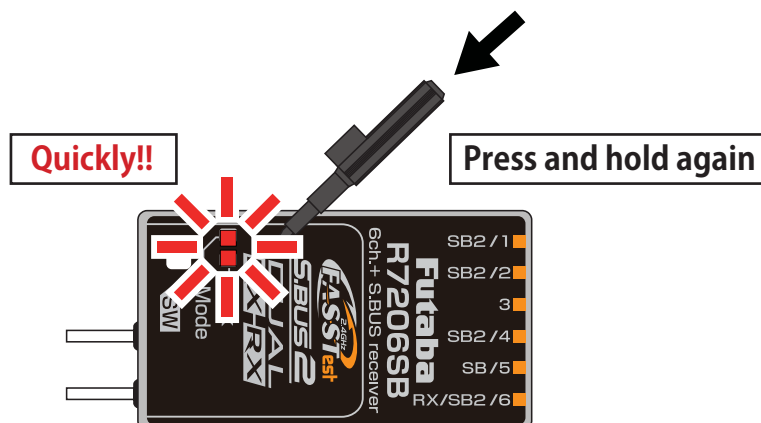
4. Turn on the receiver power while pressing down the switch.



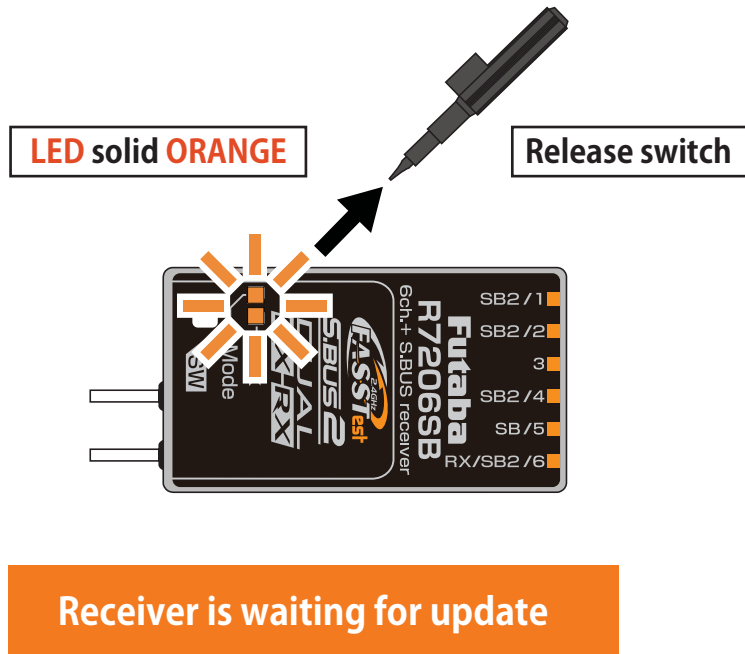
5. LED flash red once, release the switch.



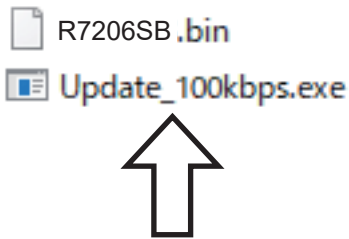
6. Press the switch again.



7. Release the switch when the solid orange.

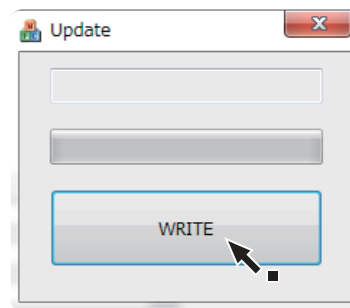


8. Execute the update file copied to the PC.

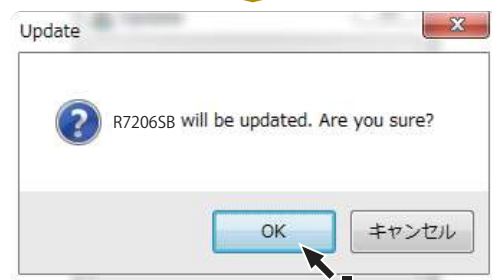


*The software of R7206SB and R7306SB is common.

9. Operate the PC update. (The receiver should keep orange on.)



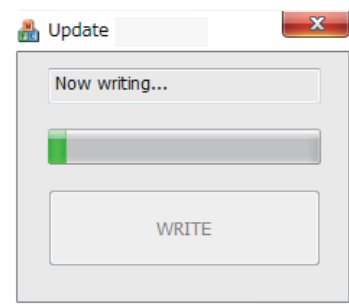
Write



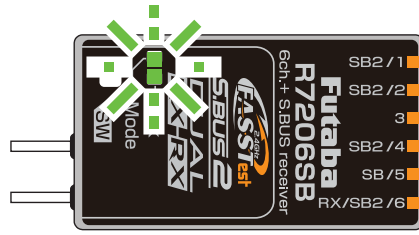
OK

Wait

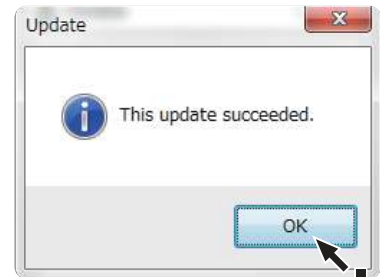
Don't turn off the power !



Flickers **GREEN** during update



LED solid **GREEN**



10. The **GREEN LED** on the R7206SB/R7306SB lights up when the update is complete. A completion message box will appear on your PC. Click OK.

11. Turn off the power switch of your R7206SB/R7306SB and remove the CIU-3.

12. Be sure to check the each function before use.

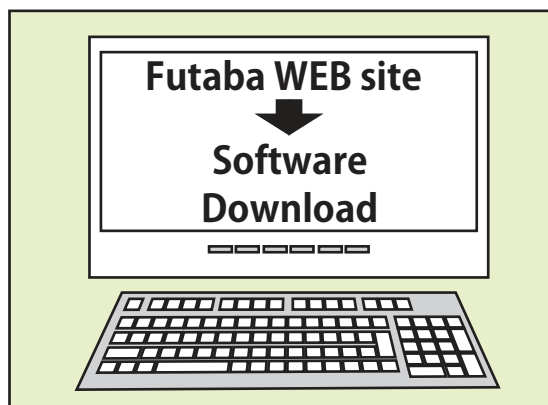
When using T26SZ or T16IZS(V4.0~), T16IZ(V6.0~) : Update Procedure

Preparations

1. Download the zip file of the R7206SB update data from our website or your local distributor's website.

<https://www.rc.futaba.co.jp/>

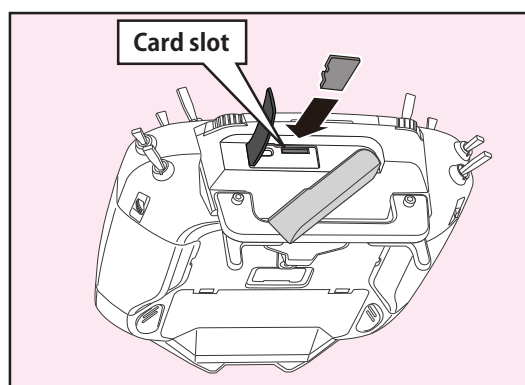
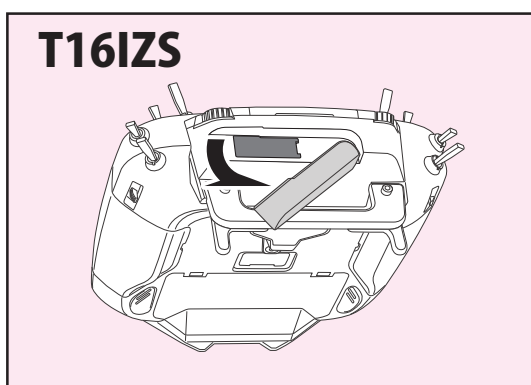
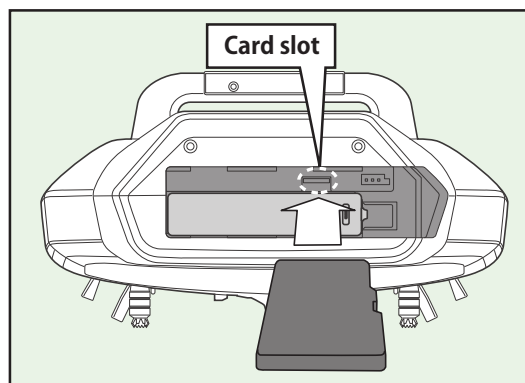
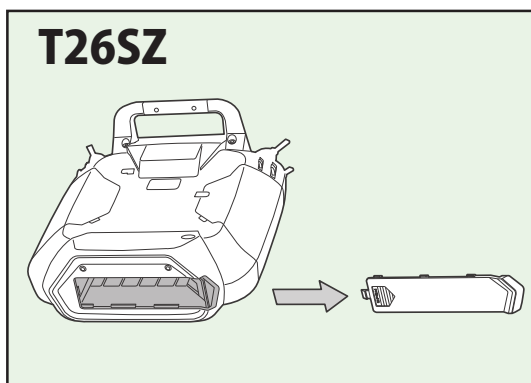
<https://futabausa.com>



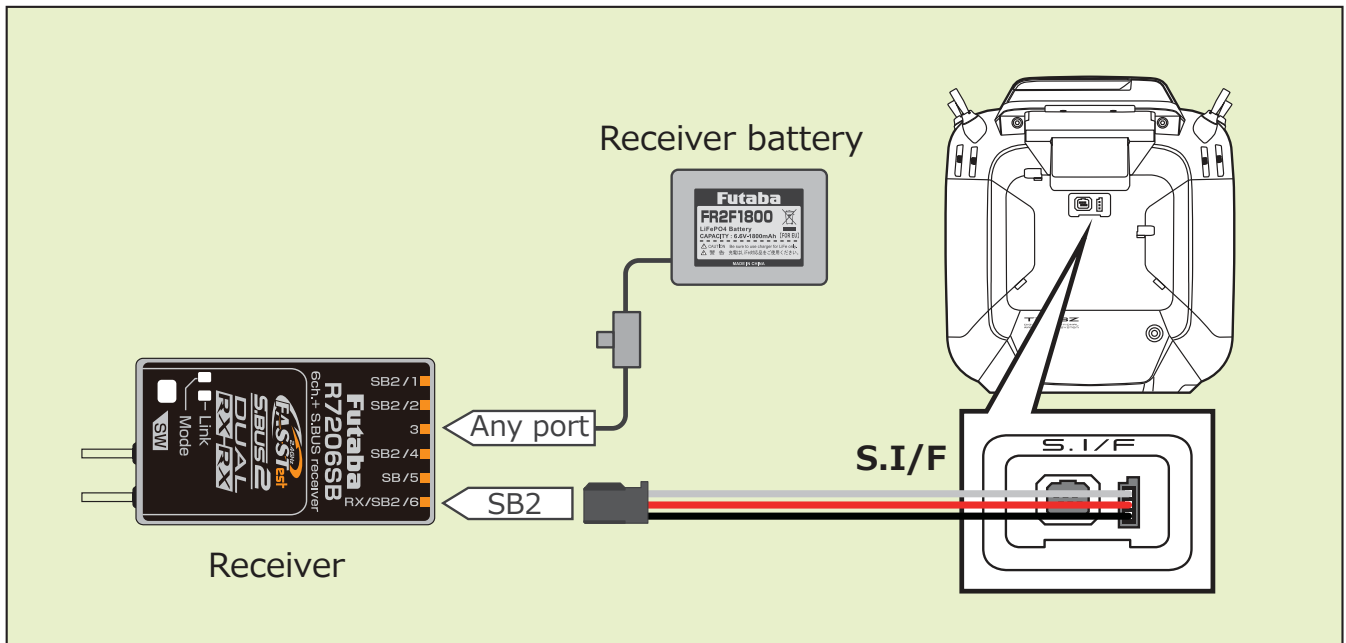
2. Extract the zip file on your computer.

3. Copy the "FUTABA" folder into your microSD card.

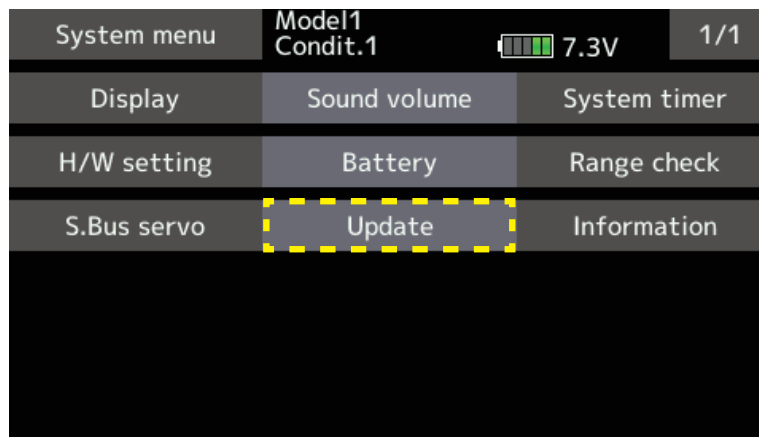
4. Insert the microSD card with "FUTABA" folder that contained the update software into the SD card slot on your transmitter.



5. Connect the receiver to be updated to the S.I/F connector of the transmitter.

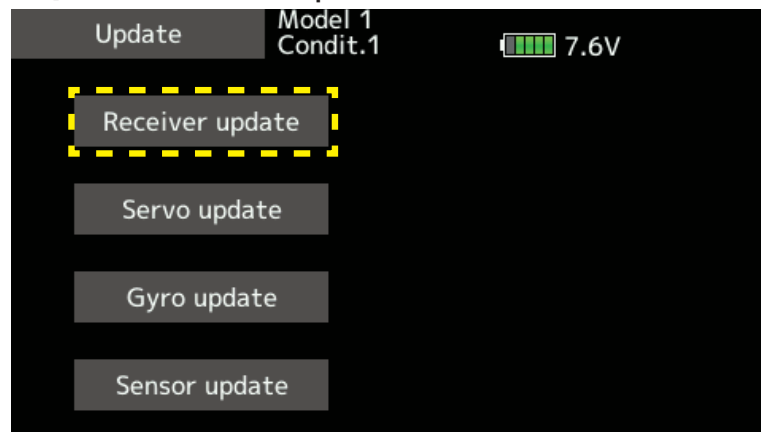


6. Turn on the transmitter and call "System Menu" ⇒ "Update".

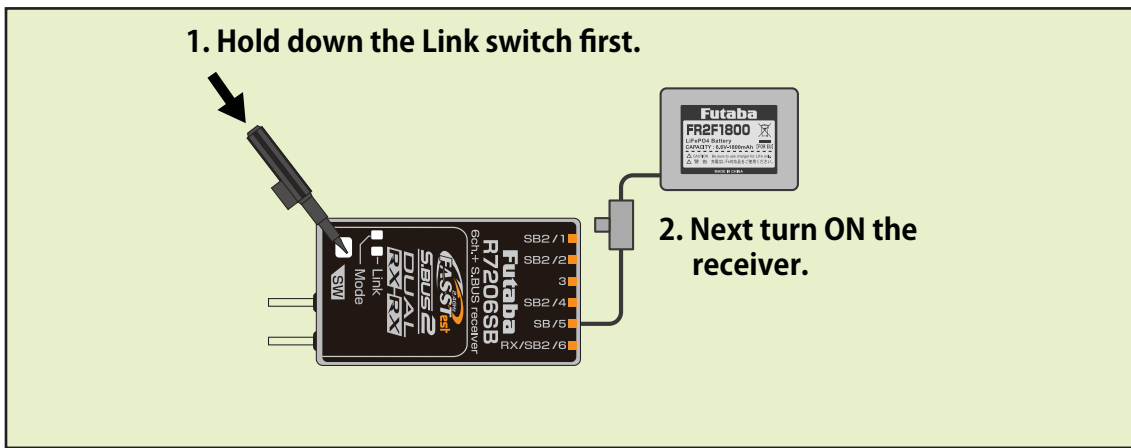


*The display screen will vary depending on the transmitter.

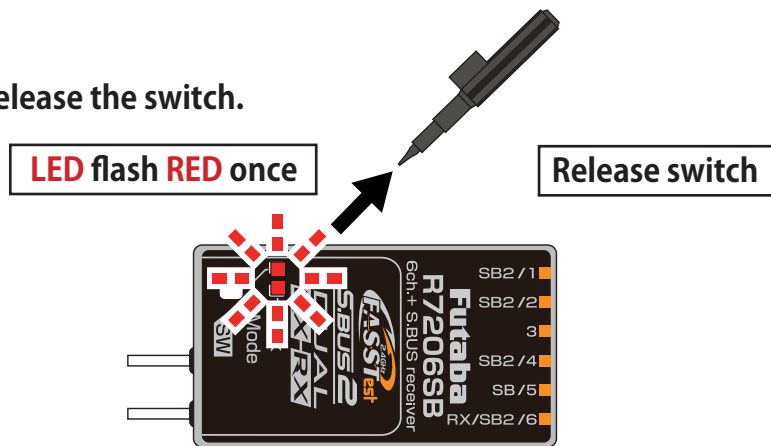
7. Tap [Receiver Update] → [R7206SB]. *R7306SB also taps R7206SB.



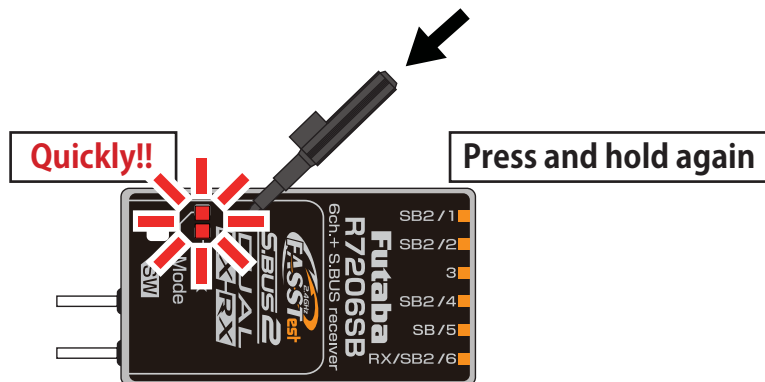
8. Turn on the receiver power while pressing down the switch.



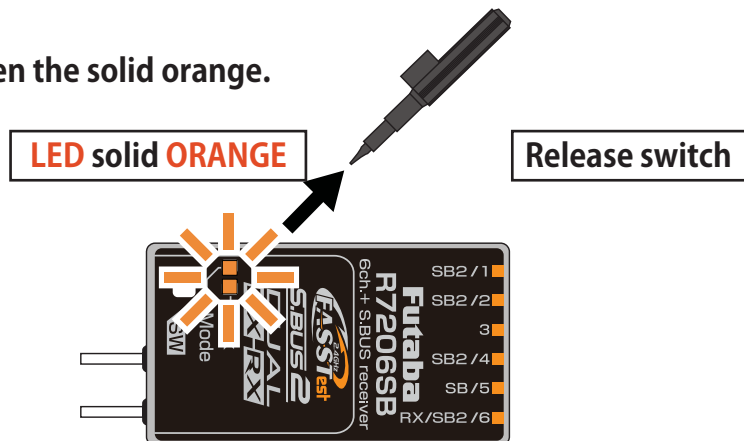
9. LED flash red once, release the switch.



10. Press the switch again.

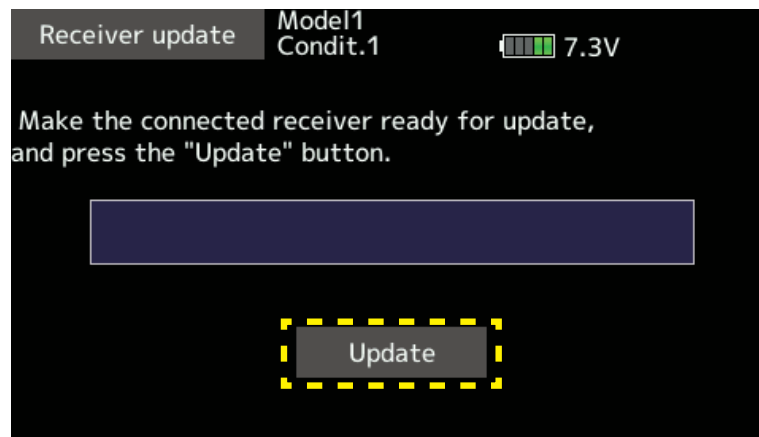


11. Release the switch when the solid orange.

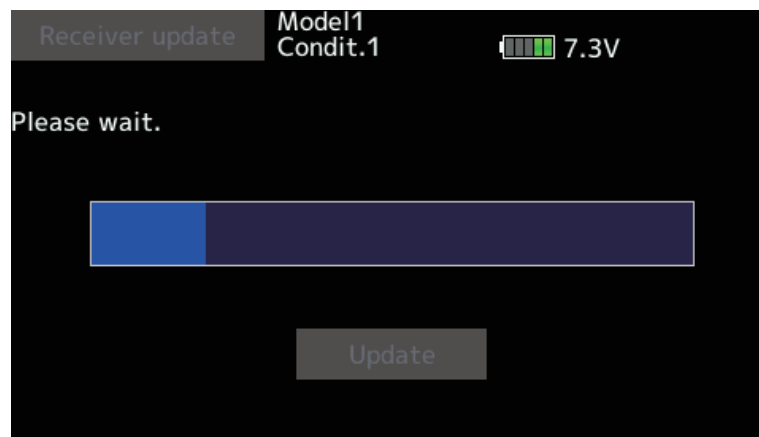


Receiver is waiting for update

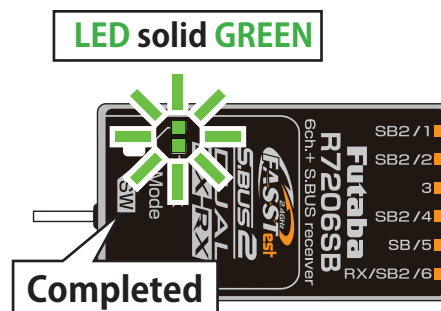
12. Tap [Update].



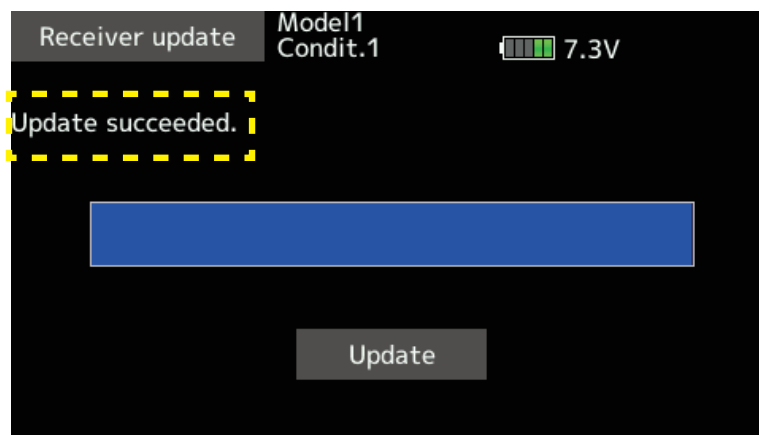
13. Update start.



14. The GREEN LED on the R7206SB/R7306SB lights up when the update is complete.



15. When finished, the following will appear.



16. Check the version by tapping [System Menu] → [R7206SB] → [Load].

17. Disconnect the DLPH-2 from the transmitter's S.I/F connector.

V1.4 UPDATE

- This software update significantly improves the recovery performance of the receiver when it enters an unintended operating state due to external noise caused by static electricity or other electronic devices.

V1.3 UPDATE

- **Failsafe Delay function newly added.**

This function enables the servo movement softly toward the preset failsafe position when the failsafe activated.

Also when back to normal operation the servo movement softly back to the position of under controlled.

To enable this function, please go to Receiver Setting menu in the "System Menu" of the transmitter.

This delay function is valid for all channels set failsafe and not able to set each channel independently.

※ This function is valid for Battery Failsafe as well.

※ The firmware update of the correspond transmitters is necessary to use this function.

- **Preparation of compatibility for new release of slim-sized back-up receiver (R70SR) to be released in spring 2026.**

As R70SR adopts the exclusive SBUS signal which can not be identified by current receiver's firmware.

Receiver settings cannot be configured from the transmitter if RX/SB/6 is in PWM mode.

Change the receiver settings to either change the CH output mode to a mode other than Mode A/Mode E, or enable Dual RX Link mode.

Refer to the R7206SB/R7306SB instruction manual for instructions on how to change the CH output mode or turn on Dual RX Link mode.

R7206SB CH Mode table

Output connector	Channel							
	Mode A	Mode B	Mode C	Mode D	Mode E	Mode F	Mode G	Mode H
SB2 / 1	1	1	1	S.BUS2	7	7	7	13
SB2 / 2	2	2	2	S.BUS2	8	8	8	14
3	3	3	3	3	9	9	9	15
SB2 / 4	4	4	4	S.BUS2	10	10	10	16
SB / 5	5	5	S.BUS	S.BUS	11	11	S.BUS	S.BUS
RX/SB2/6	6	S.BUS2	S.BUS2	S.BUS2	12	S.BUS2	S.BUS2	S.BUS2
LED blink	RED 1	RED 2	RED 3	RED 4	RED 5	GREEN 1	GREEN 2	GREEN 3

Default

V1.2 UPDATE

- The software processing from receiver startup to servo signal output has been revised.

Fixed the rare phenomenon that some S.BUS devices (including those not manufactured by Futaba) would fail to start up after being turned on.

V1.1 UPDATE

- Link processing has been improved.
- Processing has been improved when connecting the sub RX/DLPH-1/DLPH-2/FDLS-1 in dual RX link mode.